



Catalogue
FOOD SERVICE
Chapter
COOKING

Model
CP-E7126 400V 3N

19071569

09/03/2020

ELECTRIC PASTA COOKER, CP-E7126

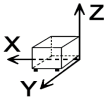
- Surface tops manufactured in 1.5 mm thick AISI-304 stainless steel.
- Laser-cut joints, automatic welding and polishing. Hidden screws.
- 1.5 mm thick AISI-316L stainless steel wells built into the surface top.
- Wells that suit with different arrangements and measures of baskets.
- The well is filled through the inlet solenoid valve with a two-position switch: average and high-speed filling.
- Well drainage through a mechanical ball valve which is resistant to high temperatures and has a safety overflow.
- Automatic safety system to stop the current if the water runs out.
- Controls with a protective support base and system to prevent water infiltration.
- Access to components from the front.
- Stainless steel feet with adjustable height.
- Machines with IPX5 grade water protection.
- AISI 304 stainless-steel heating elements located inside the well to directly heat the water.
- Heating controlled through energy regulator.
- Well of dimensions GN-2/3, with 26 litres capacity.
- Standard provision: Two 1/3 type baskets.

OPCIONAL ACCESSORIES

- 6 x 1/6 square baskets kit
- 6 x 1/6 round baskets kit
- 4 x 1/4 baskets kit
- 2 x 1/2 baskets kit
- "
- "

DIMENSIONS

X Width	400 mm	X Gross width	440 mm
Y Depth	730 mm	Y Gross depth	822 mm
Z Height	850 mm	Z Gross height	1255 mm
Net Weight	45,0 kg	Gross Weight	60,0 kg
Net volume	0,250 m3	Gross volume	0,454 m3



ELECTRICITY TECHNICAL SPECIFICATIONS

Electric power	9,000 kW
Amperage (A)	13,1A
Heating power	9,00 kW
Voltage	400V - 3N
Electric frequency	50/60Hz

WATER TECHNICAL SPECIFICATIONS

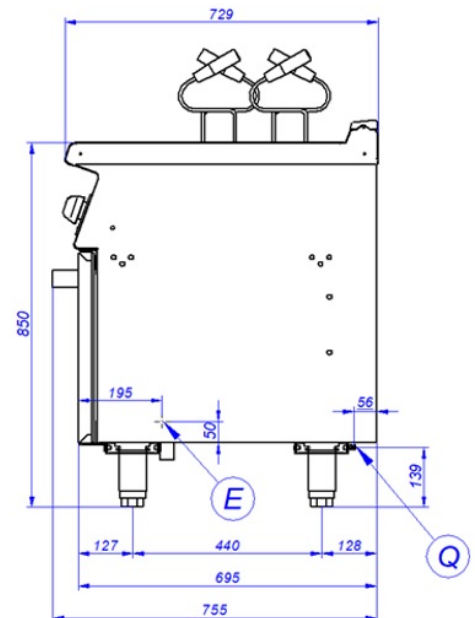
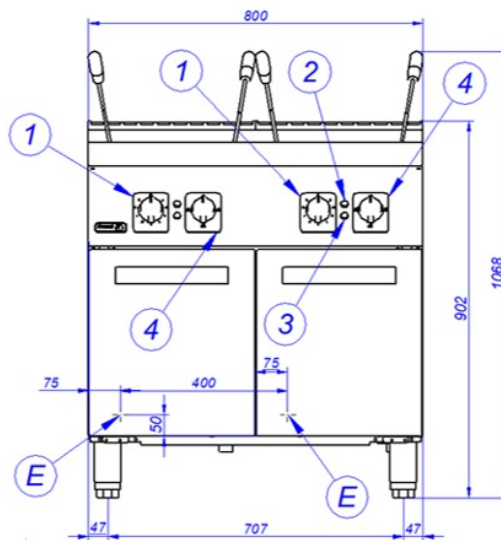
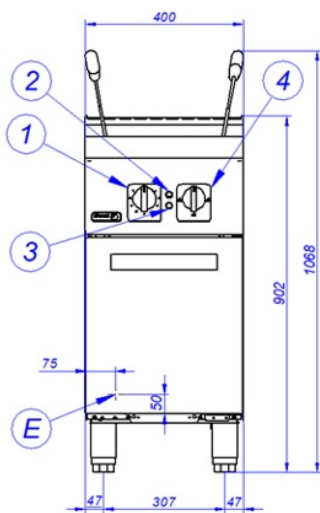
Pressure	H2O: 200-400kPa(2-4bar)
Water max consumption	0,00 L/h

CONNECTIONS TECHNICAL SPECIFICATIONS

230 V three-phase wiring	3X4MM2+T
Single-phase 230V wiring	2X10MM2+T
Three-phase +N 400V wiring	3X1,5MM2+T+N
Water inlet diameter	3/4"

CP-E7126

CP-E7226



E – Conexión eléctrica

Q – Conexión equipotencial

1 – Mando termostato

2 – Piloto verde

3 – Piloto ámbar

4 – Mando entrada agua

Electrical connection

Equipotential connection

Thermostat control

Green pilot

Ambar pilot

Water control

Connexion électrique

Connexion équipotentiel

Commande de thermostat

Lumière verte

Lumière ambre

Commande d'entrée d'eau