



Catalogue
FOOD SERVICE
Chapter
COOKING

Model
CP-E7140 400V 3N

19074747

09/03/2020

ELECTRIC PASTA COOKER, CP-E7140

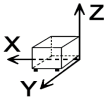
- Surface tops manufactured in 1.5 mm thick AISI-304 stainless steel.
- Laser-cut joints, automatic welding and polishing. Hidden screws.
- 1.5 mm thick AISI-316L stainless steel wells built into the surface top.
- Wells that suit with different arrangements and measures of baskets.
- The well is filled through the inlet solenoid valve with a two-position switch: average and high-speed filling.
- Well drainage through a mechanical ball valve which is resistant to high temperatures and has a safety overflow.
- Automatic safety system to stop the current if the water runs out.
- Controls with a protective support base and system to prevent water infiltration.
- Access to components from the front.
- Stainless steel feet with adjustable height.
- Machines with IPX5 grade water protection.
- AISI 304 stainless-steel heating elements located inside the well to directly heat the water.
- Heating controlled through energy regulator.
- Well of dimensions GN-1/1, with 40 litres capacity.
- Standard provision: Three 1/3 type baskets.

OPCIONAL ACCESSORIES

- 6 x 1/6 square baskets kit
- 6 x 1/6 round baskets kit
- 4 x 1/4 baskets kit
- 2 x 1/2 baskets kit
- "
- "

DIMENSIONS

X Width	400 mm	X Gross width	440 mm
Y Depth	730 mm	Y Gross depth	822 mm
Z Height	850 mm	Z Gross height	1255 mm
Net Weight	50,0 kg	Gross Weight	65,0 kg
Net volume	0,250 m3	Gross volume	0,454 m3



ELECTRICITY TECHNICAL SPECIFICATIONS

Electric power	12,000 kW
Amperage (A)	17,4A
Heating power	12,00 kW
Voltage	400V - 3N
Electric frequency	50/60Hz

WATER TECHNICAL SPECIFICATIONS

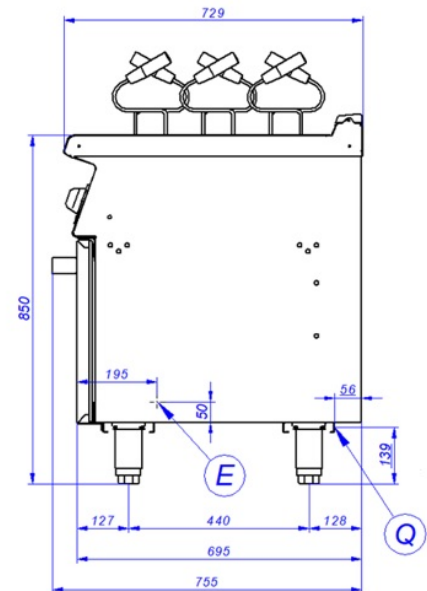
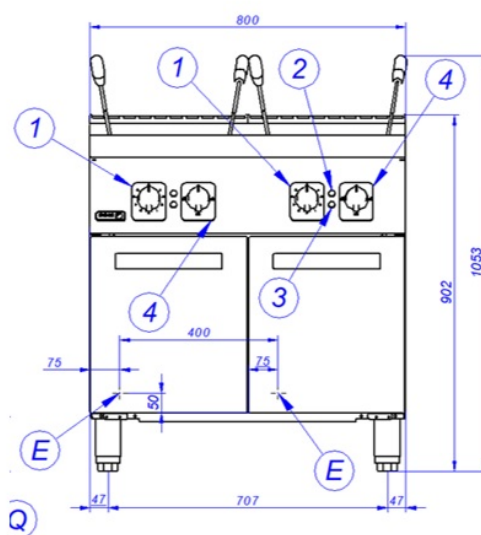
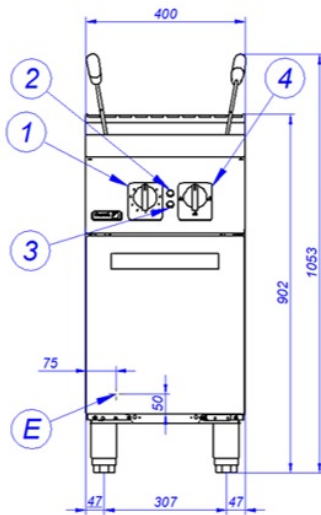
Pressure	H2O: 200-400kPa(2-4bar)
Water max consumption	0,00 L/h

CONNECTIONS TECHNICAL SPECIFICATIONS

230 V three-phase wiring	3X6MM2+T
Single-phase 230V wiring	2X10MM2+T
Three-phase +N 400V wiring	3X2,5MM2+T+N
Water inlet diameter	3/4"

CP-E7140

CP-E7240



E – Conexión eléctrica

Electrical connection

Connexion électrique

Q – Conexión equipotencial

Equipotential connection

Connexion équipotential

1 – Mando termostato

Thermostat control

Commande de thermostat

2 – Piloto verde

Green pilot

Lumière verte

3 – Piloto ámbar

Ambar pilot

Lumière ambre

4 – Mando entrada agua

Water control

Commande d'entrée d'eau