



Catalogue
FOOD SERVICE
Chapter
COOKING

Model
 CP-E7226 400V 3N

19072437

09/03/2020

ELECTRIC PASTA COOKER, CP-E7226

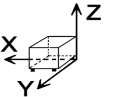
- Surface tops manufactured in 1.5 mm thick AISI-304 stainless steel.
- Laser-cut joints, automatic welding and polishing. Hidden screws.
- 1.5 mm thick AISI-316L stainless steel wells built into the surface top.
- Wells that suit with different arrangements and measures of baskets.
- The well is filled through the inlet solenoid valve with a two-position switch: average and high-speed filling.
- Well drainage through a mechanical ball valve which is resistant to high temperatures and has a safety overflow.
- Automatic safety system to stop the current if the water runs out.
- Controls with a protective support base and system to prevent water infiltration.
- Access to components from the front.
- Stainless steel feet with adjustable height.
- Machines with IPX5 grade water protection.
- AISI 304 stainless-steel heating elements located inside the well to directly heat the water.
- Heating controlled through energy regulator.
- Two wells of dimensions GN-2/3, with 26 litres capacity.
- Standard provision: Four 1/3 type baskets.

OPCIONAL ACCESSORIES

- 6 x 1/6 square baskets kit
- 6 x 1/6 round baskets kit
- 4 x 1/4 baskets kit
- 2 x 1/2 baskets kit
- "
- "

DIMENSIONS

X Width	800 mm	X Gross width	840 mm
Y Depth	730 mm	Y Gross depth	822 mm
Z Height	850 mm	Z Gross height	1255 mm
Net Weight	85,0 kg	Gross Weight	103,0 kg
Net volume	0,500 m3	Gross volume	0,867 m3



ELECTRICITY TECHNICAL SPECIFICATIONS

Electric power	18,000 kW
Amperage (A)	26,1A
Heating power	18,00 kW
Voltage	400V - 3N
Electric frequency	50/60Hz

WATER TECHNICAL SPECIFICATIONS

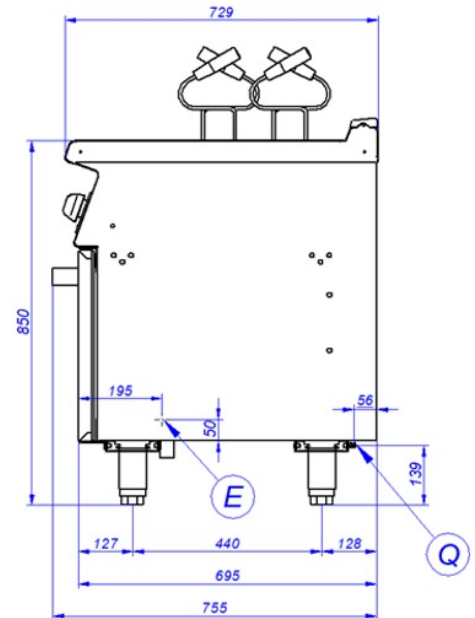
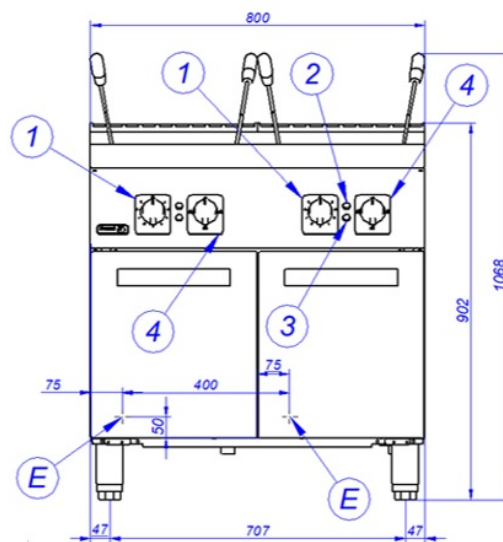
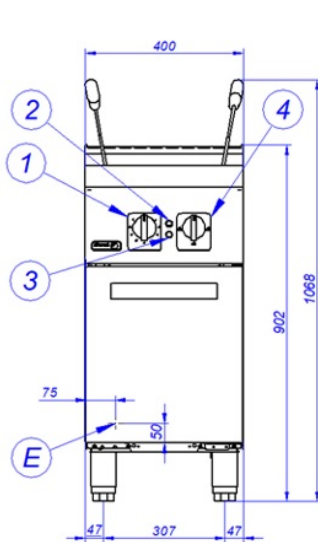
Pressure	H2O: 200-400kPa(2-4bar)
Water max consumption	0,00 L/h

CONNECTIONS TECHNICAL SPECIFICATIONS

230 V three-phase wiring	3X10MM2+T
Single-phase 230V wiring	2X25MM2+T
Three-phase +N 400V wiring	3X4MM2+T+N
Water inlet diameter	3/4"

CP-E7126

CP-E7226



E – Conexión eléctrica

Q – Conexión equipotencial

1 – Mando termostato

2 – Piloto verde

3 – Piloto ámbar

4 – Mando entrada agua

Electrical connection

Equipotential connection

Thermostat control

Green pilot

Amber pilot

Water control

Connexion électrique

Connexion équipotential

Commande de thermostat

Lumière verte

Lumière ambre

Commande d'entrée d'eau