



Catalogue
FOOD SERVICE
Chapter
COOKING

Model
F-E7115 400V 3N 50/60Hz 1C

19071300

09/03/2020

ELECTRIC FRYER, F-E7115

- Surface top manufactured in 1.5 mm thick AISI-304 stainless steel.
- Laser-cut joints, automatic welding and polishing. Hidden screws.
- Well built into the surface top with robotic welding and polishing.
- Cold area in the lower part of the well which helps to preserve the characteristics and quality of the oil used for longer.
- Thermostatic temperature control, between 60 and 200 °C.
- Safety thermostat in all models.
- Fitted with individual lids for each well.
- Drainage of oil from the well through a mechanical ball valve which is robust, reliable and resistant to high temperatures.
- High power machine that heat up quickly and have a high power - litre ratio (up to 1.00 kW/litre).
- Electric model with AISI 304 stainless steel heating elements located inside the well which can be tilted by over 90° to ensure perfect cleaning.
- Number of wells: one of 15 litres capacity

BASKETS PROVIDED:

- 1 large basket (250 x 280 x 100 mm).

OPCIONAL ACCESSORIES

- Small basket (125 x 280 x 100 mm).
- "
- "

DIMENSIONS



X Width	400 mm	X Gross width	440 mm
Y Depth	730 mm	Y Gross depth	822 mm
Z Height	850 mm	Z Gross height	1255 mm
Net Weight	60,0 kg	Gross Weight	75,0 kg
Net volume	0,250 m3	Gross volume	0,454 m3

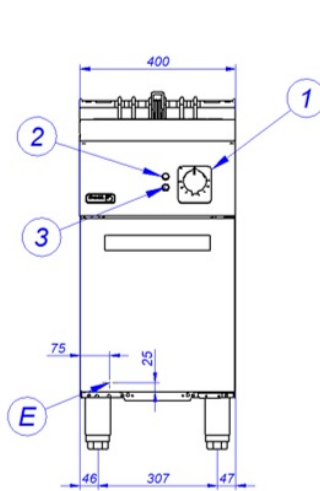
ELECTRICITY TECHNICAL SPECIFICATIONS

Electric power	12,000 kW
Amperage (A)	17,4A
Heating power	12,00 kW
Voltage	400V - 3N
Electric frequency	50/60Hz

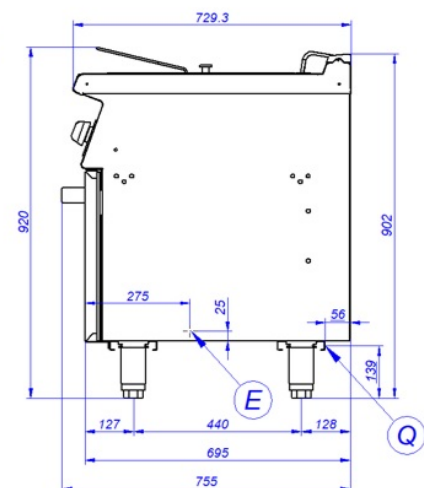
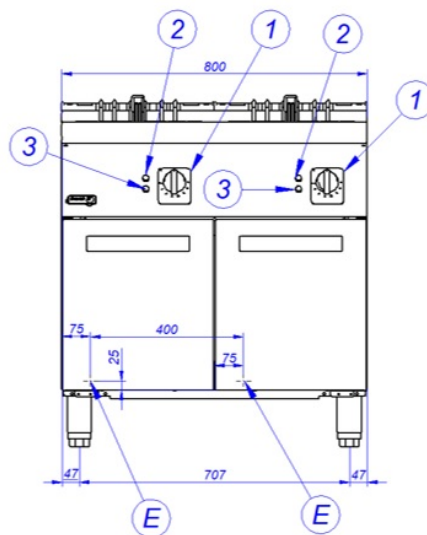
CONNECTIONS TECHNICAL SPECIFICATIONS

230 V three-phase wiring	3X6MM2+T
Single-phase 230V wiring	2X10MM2+T
Three-phase +N 400V wiring	3X2,5MM2+T+N

F-E7115



F-E7215



E – Conexión eléctrica
Q – Conexión equipotencial
1 – Mando termostato
2 – Piloto verde
3 – Piloto ámbar
4 – Mando entrada agua

Electrical connection
Equipotential connection
Thermostat control
Green pilot
Ambar pilot
Water control

Connexion électrique
Connexion équipotentiel
Commande de thermostat
Lumière verte
Lumière ambre
Commande d'entrée d'eau