



**Catalogue**  
**FOOD SERVICE**  
**Chapter**  
**COOKING**

**Model**  
**F-E7215 400V 3N 50/60Hz 2C**

19071455

09/03/2020

**ELECTRIC FRYER, F-E7215**

- Surface top manufactured in 1.5 mm thick AISI-304 stainless steel.
- Laser-cut joints, automatic welding and polishing. Hidden screws.
- Well built into the surface top with robotic welding and polishing.
- Cold area in the lower part of the well which helps to preserve the characteristics and quality of the oil used for longer.
- Thermostatic temperature control, between 60 and 200 °C.
- Safety thermostat in all models.
- Fitted with individual lids for each well.
- Drainage of oil from the well through a mechanical ball valve which is robust, reliable and resistant to high temperatures.
- High power machine that heat up quickly and have a high power - litre ratio (up to 1.00 kW/litre).
- Electric model with AISI 304 stainless steel heating elements located inside the well which can be tilted by over 90° to ensure perfect cleaning.
- Number of wells: two of 15 litres capacity

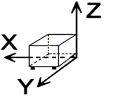
**BASKETS PROVIDED:**

- 1 large basket per well (250 x 280 x 100 mm).

**OPCIONAL ACCESSORIES**

- Small basket (125 x 280 x 100 mm).
- "
- "

**DIMENSIONS**



X Width	800 mm	X Gross width	840 mm
Y Depth	730 mm	Y Gross depth	822 mm
Z Height	850 mm	Z Gross height	1255 mm
Net Weight	120,0 kg	Gross Weight	138,0 kg
Net volume	0,500 m3	Gross volume	0,867 m3

**ELECTRICITY TECHNICAL SPECIFICATIONS**

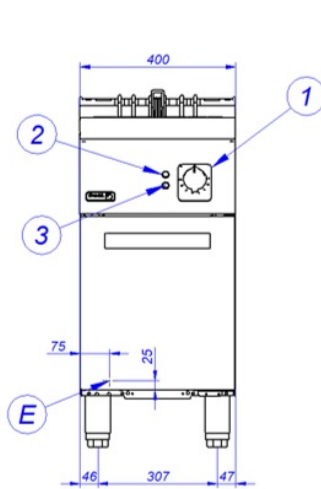
Electric power	24,000 kW
Amperage (A)	34,8A
Heating power	24,00 kW
Voltage	400V - 3N
Electric frequency	50/60Hz

**CONNECTIONS TECHNICAL SPECIFICATIONS**

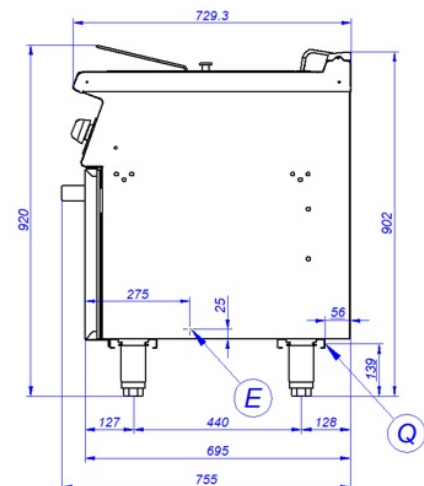
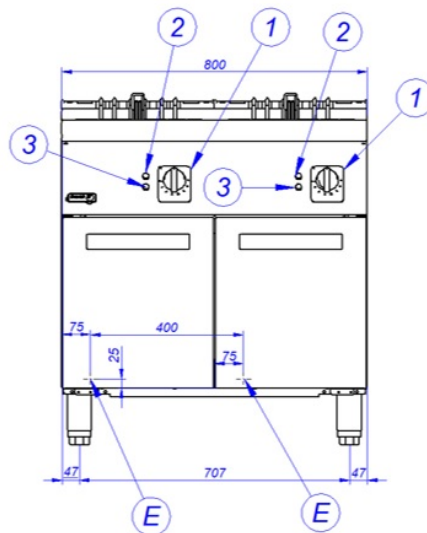
230 V three-phase wiring	3X16MM2+T
Single-phase 230V wiring	2X35MM2+T
Three-phase +N 400V wiring	3X6MM2+T+N



**F-E7115**



**F-E7215**



E – Conexión eléctrica  
Q – Conexión equipotencial  
1 – Mando termostato  
2 – Piloto verde  
3 – Piloto ámbar  
4 – Mando entrada agua

Electrical connection  
Equipotential connection  
Thermostat control  
Green pilot  
Ambar pilot  
Water control

Connexion électrique  
Connexion équipotentiel  
Commande de thermostat  
Lumière verte  
Lumière ambre  
Commande d'entrée d'eau