

Catalogue
FOOD SERVICE
Chapter
COOKING

Model
FT-E710 L 400V 3N

19029261

09/03/2020

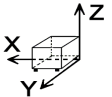
ELECTRIC FRY-TOP, FT-E710 L

- Deep-drawn surface tops manufactured in 1.5 mm thick AISI-304 stainless steel.
- Laser-cut joints, automatic welding and polishing. Hidden screws.
- 12 or 15 mm thick mild steel fry tops which are quick-heating and high power.
- Whole-module fry tops have two separate heating areas.
- Rapid reaction and recovery times of the fry-top temperature.
- The fry tops are welded to the deep-drawn surface top.
- The deep-drawn shell and its rounded edges and corners make cleaning much easier.
- The fry top is tilted towards the front to make it easier to collect grease and liquids.
- Fitted with an opening to collect cooking grease and a tray to store it which has capacity to store up to 2 litres depending on the model.
- Optional anti-splash side and rear guards, easy to remove.
- High-temperature enamelled cast iron flue protector.
- Access to components from the front.
- Machines with IPX5 grade water protection.
- Electrically heated models with stainless steel heating elements; thermostatic temperature control, between 100 and 300 °C.
- Safety thermostat.
- Model with smooth plate of 728 x 468 mm.
- Two heating zones.

OPCIONAL ACCESSORIES

- Scraper (The models with a chrome surface include the scraper as standard.).
- Anti-splash guard (in three parts to make cleaning easier).
- "
- "

DIMENSIONS



X Width	800 mm	X Gross width	840 mm
Y Depth	730 mm	Y Gross depth	822 mm
Z Height	290 mm	Z Gross height	535 mm
Net Weight	137,0 kg	Gross Weight	155,0 kg
Net volume	0,170 m3	Gross volume	0,369 m3

ELECTRICITY TECHNICAL SPECIFICATIONS

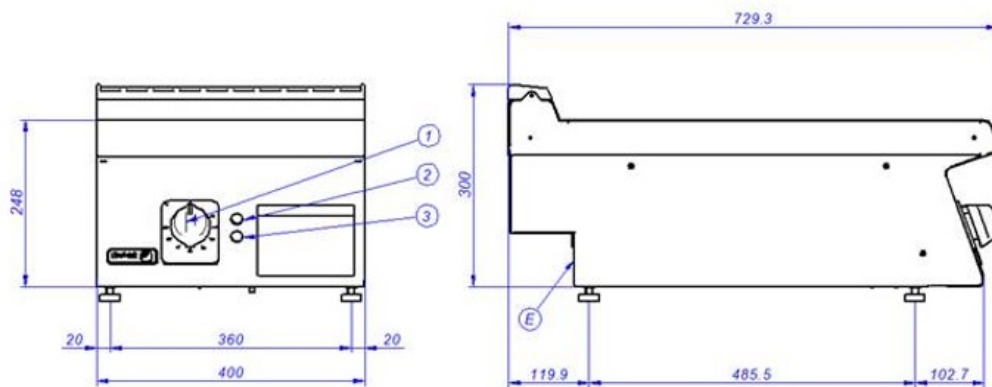
Electric power	10,000 kW
Amperage (A)	14,5A
Heating power	10,00 kW
Voltage	400V - 3N
Electric frequency	50/60Hz

CONNECTIONS TECHNICAL SPECIFICATIONS

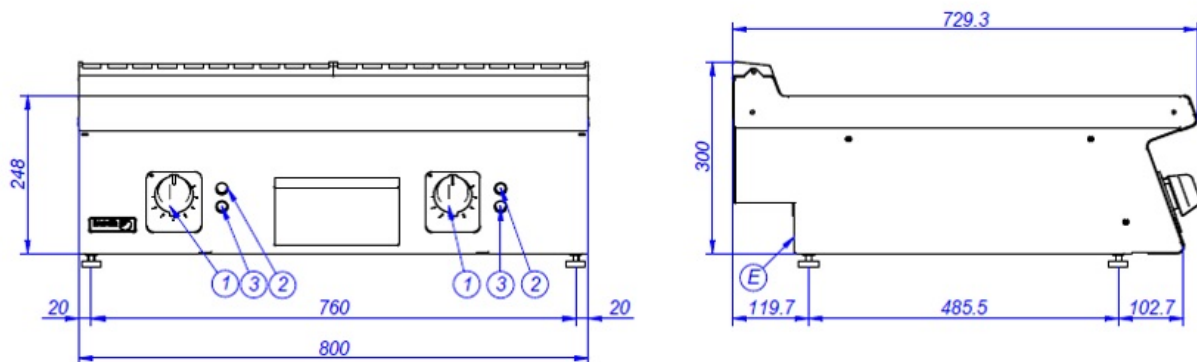
230 V three-phase wiring	3X6MM2+T
Single-phase 230V wiring	2X10MM2+T
Three-phase +N 400V wiring	3X2,5MM2+T+N



FT-E705



FT-E710



E – Conexión eléctrica

1 – Mando termostato

2 – Piloto verde

3 – Piloto ámbar

Electrical connection

Thermostat control

Green pilot

Ambar pilot

Connexion électrique

Commande de thermostat

Lumière verte

Lumière ambre